

BOX SCORE: *** FINAL ***

Date: 03-17-88 Site: State Tourney, Louisville Attendance: 15,860

Team: Henry Clay

NO.	NAME	TOTAL FG		3-POINT		FT	FTA	REB				PF	TP	A	TO	SLK	S	MIN	
		FG	FGA	FG	FGA			O	D	T	TI								
21	Sutton, Scott	5	10	0	0	0	0	0	5	5	3	12	5	1	1	0	0	21	
22	Uglen, Jay	1	8	0	0	0	1	1	0	1	1	2	0	1	0	0	0	13	
50	Hill, Gary	9	13	0	0	1	1	4	12	16	1	19	2	0	1	0	0	20	
14	Butler, Aaron	1	4	0	1	0	0	1	0	1	3	2	0	0	0	0	0	9	
24	McCowan, Alan	8	12	1	3	0	0	0	4	4	3	17	4	2	0	2	0	23	
10	Jackson, Keith	5	8	0	2	1	1	0	0	0	1	11	9	2	0	0	0	21	
12	Hatchett, Ryce	6	10	0	0	0	0	1	1	2	4	12	1	1	0	1	0	18	
44	Castleberry, J.	2	4	0	0	1	2	0	3	3	4	5	1	1	2	1	0	9	
32	Kryscio, Doug	3	4	0	0	0	0	1	1	2	2	6	0	0	0	0	0	5	
20	Allen, Terry	1	1	0	0	0	0	0	0	0	0	2	1	0	0	0	0	4	
30	Kirkpatrick, K.	2	2	0	0	0	0	1	2	3	0	4	7	1	0	2	0	10	
34	Jackson, Harry	1	1	0	0	0	0	0	1	1	1	2	0	0	0	0	0	7	
TEAM																			
TOTALS		45	75	1	10	3	5	9	29	38	23	94	30	9	4	2		160	

Percentages:	Game-----	FG	45/ 75	60.0%	3-PT.	1/ 10	10.0%	FT	3/ 5	60.0%
	Period 1		7/ 22	31.8%		1/ 6	16.7%		0/ 1	0.0%
	Period 2		13/ 16	81.3%		0/ 1	0.0%		1/ 1	100.0%
	Period 3		11/ 19	57.9%		0/ 3	0.0%		0/ 0	0.0%
	Period 4		14/ 18	77.8%		0/ 0	0.0%		2/ 3	66.7%

Team: Phelps

NO.	NAME	TOTAL FG		3-POINT		FT	FTA	REB				PF	TP	A	TO	BLK	S	MIN	
		FG	FGA	FG	FGA			O	D	T	TI								
24	Stevens, Larry	2	3	0	1	2	4	1	4	5	1	6	0	4	0	0	0	19	
32	Fannin, Mike	10	16	0	0	3	6	4	9	13	1	23	1	1	0	0	0	30	
34	Blankenship, R.	3	12	0	0	4	5	1	2	3	1	10	0	0	0	0	0	20	
03	Keene, Jamie	0	3	0	0	3	4	0	2	2	1	3	3	1	0	0	0	23	
12	Charles, Brian	1	9	0	4	3	4	1	2	3	1	5	3	2	0	0	0	27	
42	Baker, Robbie	1	3	0	0	4	4	1	2	3	1	6	0	1	0	0	0	12	
21	Justice, Mike	0	3	0	0	5	6	1	1	2	0	6	0	0	0	1	0	13	
10	Charles, M.	1	3	0	0	4	4	0	0	0	2	6	1	3	0	1	0	15	
30	Griffith, Paul	0	0	0	0	0	0	0	0	0	0	0	0	0	0	0	0	1	
22	Compton, Brian	0	0	0	0	0	0	0	0	0	0	0	0	1	0	0	0	0	
TEAM																			
TOTALS		18	52	0	5	29	37	10	23	33	8	65	8	13	0	2		160	

Percentages:	Game-----	FG	18/ 52	34.6%	3-PT.	0/ 5	0.0%	FT	29/ 37	78.4%
	Period 1		3/ 9	33.3%		0/ 1	0.0%		9/ 12	75.0%
	Period 2		1/ 12	8.3%		0/ 0	0.0%		6/ 9	66.7%
	Period 3		8/ 18	44.4%		0/ 2	0.0%		3/ 3	100.0%
	Period 4		6/ 13	46.2%		0/ 2	0.0%		11/ 13	84.6%

OFFICIALS: Jay W. Davis, Barry Barnes, M. Moore - Alt.
 Technicals: None

SCORE BY PERIODS					
Henry Clay	15	27	22	30	= 94
Phelps	15	8	19	23	= 65

Produced by the K.H.S.A.A. Stat Crew with FINAL III**

Henry Clay "Blue Devils" vs Phelps "Hornets"
2nd Half Play by Play

PAGE : 2

Tip off at 7:30 p.m. on 03/17/88 at State Tourney, Louisville
Produced by the K.H.S.A.A. Stat Crew with FINAL III**

Player	Team	Phelps	Time	Score	Henry Clay	Player	Team
Baker, Robbie, Charles, Brian, Charles, M., Justice, Mike, Fannin, Mike Ball to Hornets			Allen, Terry, Kirkpatrick, K., Jackson, Harry, Castleberry, J, Kryscio, Doug				
			4 7:53	42-66*	8 ft Right Base Line Jump shot by Kirkpatrick, K.	1-1	100% 32-58 55.1%
			4 7:23	42-68*	Follow Tip by Kryscio, Doug	2-2	100% 33-60 55.0%
			4 7:00		Foul on Castleberry, J	2	4
0-3	00.0%	18-26 69.2%	4 7:00				
		Fannin, Mike, 2 Free Throws missed both	4 6:42	42-70*	Layup Off Fast Break by Castleberry, J Assist by Kirkpatrick, K.	1-2	50.0% 34-62 54.8%
						4	22
8-13	61.5%	13-42 30.9%	4 6:28	*44-70			
		8 ft Right Side Bank by Fannin, Mike	4 6:28		Foul on Kryscio, Doug	1	5
1-4	25.0%	19-27 70.3%	4 6:28	*45-70			
1		Fannin, Mike, 1 Free Throw made	4 6:17				
		Foul on Fannin, Mike	4 6:17				
			4 6:17	45-71*	Castleberry, J, 2 Free Throws made 1st missed 2nd	1-2	50.0% 2-4 50.0%
			4 5:57	45-73*	16 ft Left Base Line Jump shot by Kryscio, Doug	3-4	75.0% 35-63 55.5%
			4 5:47		Foul on Jackson, Harry	1	6
3-6	50.0%	21-29 72.4%	4 5:47	*47-73			
		Fannin, Mike, 1 & Bonus made both	4 5:34		Foul on Castleberry, J	3	7
4-4	100%	23-31 74.1%	4 5:34	*49-73			
		Justice, Mike, 1 & Bonus made both	4 5:25	49-75*	18 ft Circle Jump shot by Allen, Terry	1-1	100% 36-64 56.2%
			4 5:12		Foul on Castleberry, J	4	8
4-4	100%	25-33 75.7%	4 5:12	*51-75			
1		Baker, Robbie, 1 & Bonus made both	4 5:04				
		Foul on Charles, M.	4 4:57	51-77*	Alley Oop Layup by Jackson, Harry Assist by Kirkpatrick, K.	1-1	100% 37-65 56.9%
						5	23
9-15	60.0%	14-46 30.4%	4 4:41	*53-77			
		4 ft Lane Follow by Fannin, Mike	4 4:17	53-79*	2 ft Lane Bank by Castleberry, J Assist by Allen, Terry	2-3	66.6% 38-66 57.5%
						1	24
			4 4:01		Foul on Kryscio, Doug	2	9
			4 4:01		Subs In: Sutton, Scott, Hatchett, Ryce, Jackson, Keith Out: Allen, Terry, Kryscio, Doug, Jackson, Harry		
			4 4:01				
		REB: 30 A: 6 BLK: 0 TO: 11 PF: 4 S: 1 FT: 25-33 75.7% FG: 14-46 30.4%	No. 2 Phelps	TIME - OUT	REB: 37 A: 24 BLK: 4 TO: 7 PF: 9 S: 3 FT: 2-4 50.0% FG: 38-66 57.5%		
6-6	100%	27-35 77.1%	4 4:01	*55-79			
		Justice, Mike, 2 Free Throws made both	4 3:48	55-81*	16 ft Right Base Line Jump shot by Sutton, Scott Assist by Hatchett, Ryce	6-10	60.0% 39-67 58.2%
						1	25
			4 3:21	55-83*	Layup Off Fast Break by Hatchett, Ryce Assist by Sutton, Scott	4-7	57.1% 40-68 58.8%
						5	26
10-16	62.5%	15-48 31.2%	4 3:12	*57-83			
		2 ft Lane Driving by Fannin, Mike	4 2:30	57-85*	Layup Off Fast Break by Jackson, Keith Assist by Castleberry, J	4-7	57.1% 41-70 58.5%
						1	27
			4 2:30				
			4 2:30		Sub In: Uglem, Jay Out: Castleberry, J		
			4 2:30		Sub In: Jackson, Harry Out: Sutton, Scott		
			4 2:22	57-86*	Jackson, Keith, 1 Free Throw made	1-1	100% 3-5 60.0%
			4 2:15	*59-86			
1-9	11.1%	16-50 32.0%	4 2:04	59-88*	6 ft Lane Bank by Hatchett, Ryce	5-8	62.5% 42-71 59.1%
1		Driving Reverse Lay Up by Charles, Brian Assist by Charles, M.	4 1:45	59-90*	Layup Off Fast Break by Hatchett, Ryce Assist by Kirkpatrick, K.	6-9	66.6% 43-72 59.7%
						6	28
			4 1:33		Foul on Hatchett, Ryce	4	10
4-4	100%	29-37 78.3%	4 1:29	*61-90			
		Charles, M., 1 & Bonus made both	4 1:15	61-92*	8 ft Right Base Line Bank by Kirkpatrick, K. Assist by Jackson, Keith	2-2	100% 44-73 60.2%
						9	29
1-3	33.3%	17-51 33.3%	4 1:03	*63-92			
1-3	33.3%	18-52 34.6%	4 0:47	*65-92			
3		4 ft Lane Jump shot by Baker, Robbie					
		6 ft Left Side Bank by Charles, M. Assist by Charles, Brian					
		Subs In: Griffith, Paul, Daugherty, J., Stevens, Duane					

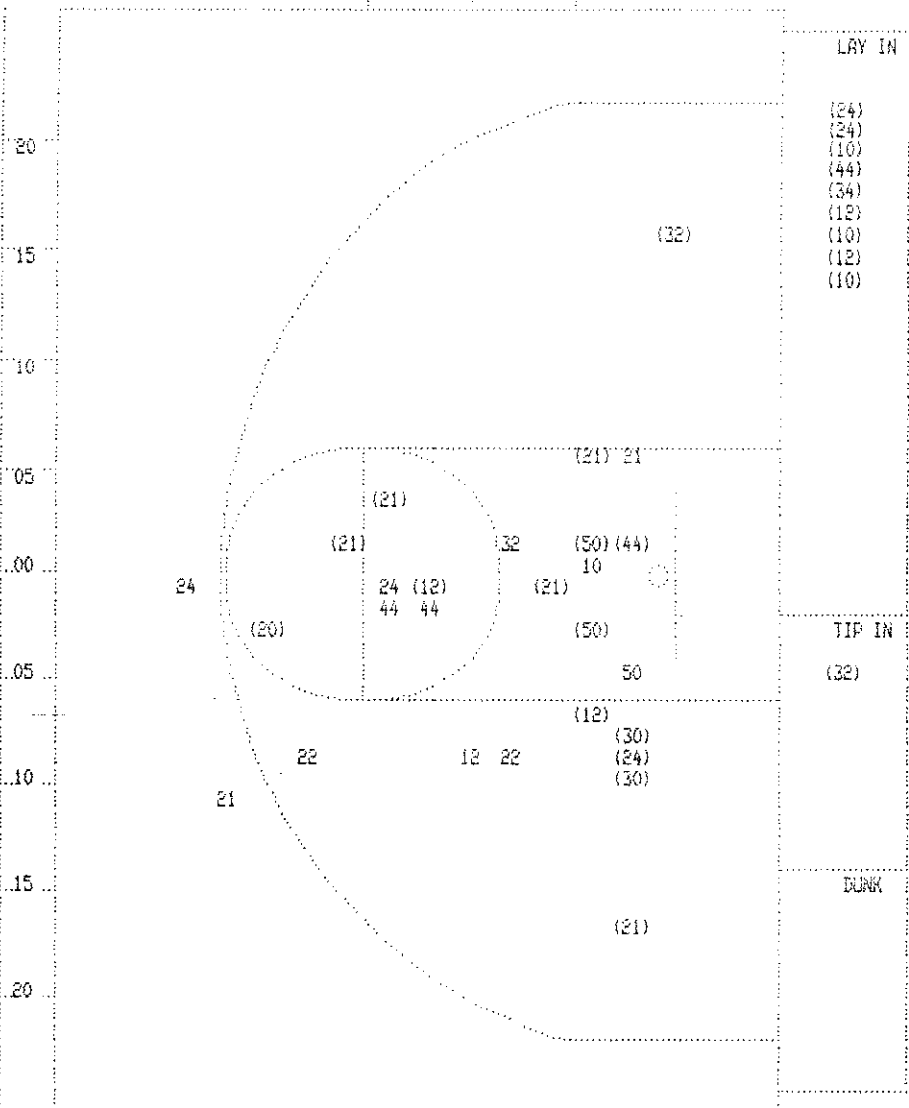
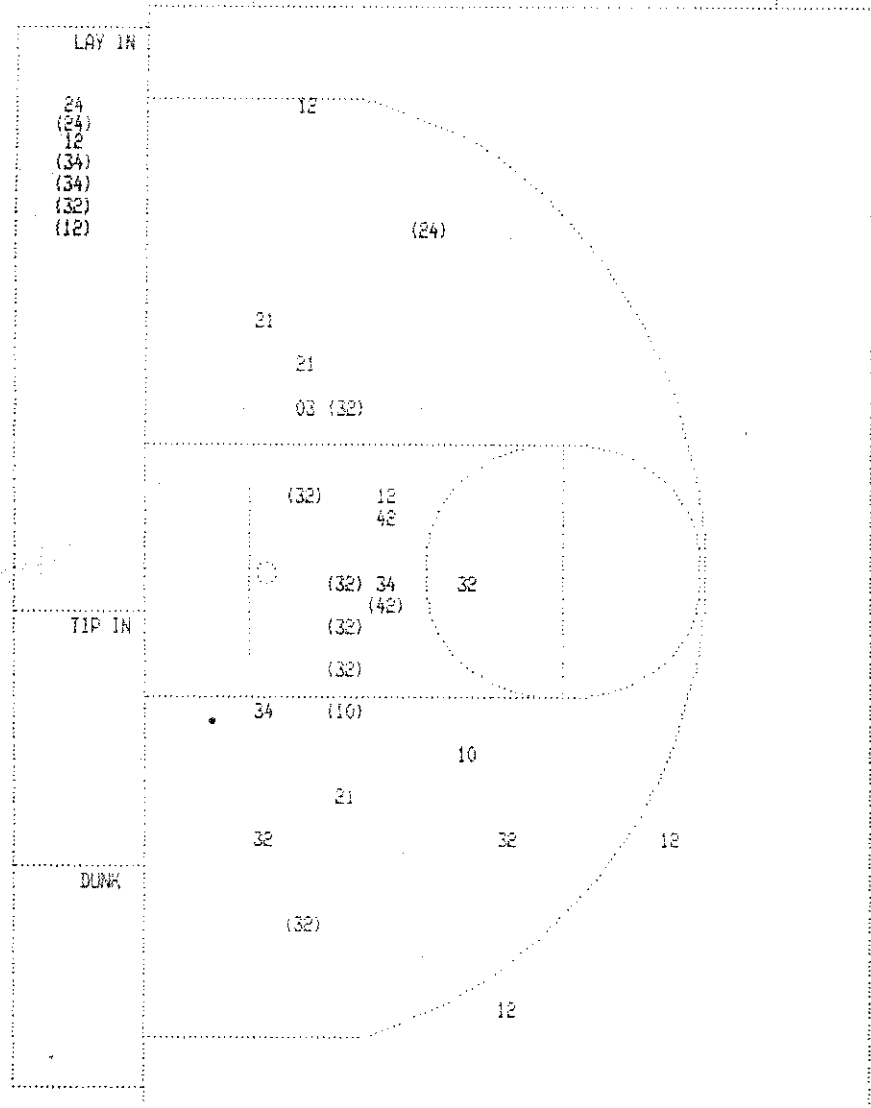
Henry Clay "Blue Devils" vs Phelps "Hornets"
2nd Half Play by Play

Tip off at 7:30 p.m. on 03/17/88 at State Tourney, Louisville
Produced by the K.H.S.A.A. Stat Crew with FINAL III**

PAGE : 1

Player	Team	Phelps	Time	Score	Henry Clay	Player	Team	
Stevens, Larry, Fannin, Mike, Blankenship, R., Keene, Jamie, Charles, Brian			Sutton, Scott, Uglem, Jay, Hill, Gary, Butler, Aaron, McCowan, Alan					
			Ball to Blue Devils					
			Foul on Butler, Aaron					3 1
3-4	75.0%	17-23 73.9%	Charles, Brian, 2	Free Throws made both	3 7:25			
1-2	50.0%	5-23 21.7%	Driving Layup by Stevens, Larry		3 7:25 *25-42			
					3 7:01 *27-42			
					3 6:51 27-44*	8 ft Right Base Line Jump shot by McCowan, Alan	6-8 75.0% 21-41 51.2%	
						Assist by Hill, Gary	2 14	
					3 6:26 27-46*	4 ft Lane Jump shot by Sutton, Scott	2-4 50.0% 22-42 52.3%	
						Assist by McCowan, Alan	3 15	
4-7	57.1%	6-25 24.0%	16 ft Left Base Line Jump shot by Fannin, Mike		3 6:13 *29-46			
1		2	Assist by Charles, Brian					
2-9	22.2%	7-27 25.9%	Driving Layup by Blankenship, R.		3 5:44 *31-46			
2		3	Assist by Keene, Jamie					
					3 5:44	Foul on Uglem, Jay	1 2	
					3 5:44	Sub In: Hatchett, Ryce Out: Butler, Aaron		
					3 5:44	Sub In: Jackson, Keith Out: Uglem, Jay		
4-5	80.0%	18-24 75.0%	Blankenship, R., 1 Free Throw made		3 5:44 *32-46			
					3 5:29 32-48*	3 ft Lane Follow by Hill, Gary	8-11 72.7% 23-45 51.1%	
					3 5:07 32-50*	6 ft Left Side Bank by Sutton, Scott	3-6 50.0% 24-46 52.1%	
						Assist by McCowan, Alan	4 16	
5-8	62.5%	9-28 28.5%	4 ft Lane Jump shot by Fannin, Mike		3 4:52 *34-50			
					3 4:47			
						REB: 22 A: 3 BLK: 0 TO: 9 PF: 0		
						S: 0 FT: 18-24 75.0% FG: 8-25 32.0%		
						No. 1 Phelps TIME - O U T		
						REB: 25 A: 16 BLK: 2 TO: 4 PF: 2		
						S: 3 FT: 1-2 50.0% FG: 24-46 52.1%		
					3 4:41 34-52*	Driving Layup by McCowan, Alan	7-10 70.0% 25-47 53.1%	
						Assist by Sutton, Scott	4 17	
					3 4:23			
3-11	27.2%	9-30 30.0%	Driving Layup by Blankenship, R.		3 4:15 34-54*	3 ft Lane Follow by Hill, Gary	9-12 75.0% 26-49 53.0%	
1		4	Assist by Fannin, Mike		3 4:09 *36-54			
					3 3:40 36-56*	10 ft Lane Turnaround by Hatchett, Ryce	3-6 50.0% 27-50 54.0%	
						Assist by Jackson, Keith	7 18	
2-3	66.6%	10-31 32.3%	17 ft Right Side Jump shot by Stevens, Larry		3 3:27 *38-56			
2		5	Assist by Charles, Brian					
					3 3:04	Foul on McCowan, Alan	3 3	
6-9	66.6%	11-33 33.3%	3 ft Lane Follow by Fannin, Mike		3 2:52 *40-56			
1		2	Player Control Foul on Charles, Brian		3 2:01			
			Sub In: Charles, M. Out: Charles, Brian		3 2:01			
			Sub In: Justice, Mike Out: Blankenship, R.		3 2:01			
					3 2:01	Sub In: Kirkpatrick, K. Out: Hatchett, Ryce		
					3 2:01	Sub In: Castleberry, J Out: Hill, Gary		
					3 1:34 40-58*	13 ft Lane Jump shot by Sutton, Scott	4-7 57.1% 28-53 52.8%	
						Assist by Jackson, Keith	8 19	
7-11	63.6%	12-36 33.3%	Layup Off Fast Break by Fannin, Mike		3 1:23 *42-58			
3		6	Assist by Keene, Jamie					
					3 1:09 42-60*	Driving Layup by McCowan, Alan	8-12 66.6% 29-54 53.7%	
						Assist by Kirkpatrick, K.	2 20	
					3 0:46 42-62*	Layup Off Fast Break by Jackson, Keith	3-6 50.0% 30-55 54.5%	
					3 0:27 42-64*	14 ft Lane Jump shot by Sutton, Scott	5-8 62.5% 31-56 55.5%	
						Assist by Kirkpatrick, K.	3 21	
					3 0:18	Sub In: Jackson, Harry Out: McCowan, Alan		
					3 0:10			
					3 0:10	Sub In: Allen, Terry Out: Jackson, Keith		
					3 0:10			
						Sub In: Baker, Robbie Out: Stevens, Larry		

SECOND HALF SHOT CHART Produced by the N.H.S.A.A. Stat Crew with FINAL III™



Phelps					
Player		Player	Player	Player	Player
24 - Stevens, L	2 / 3	66.6%	10 - Charles, M	1 / 2	50.0%
32 - Fannin, Mi	7 / 10	70.0%	21 - Justice, M	0 / 3	0.0%
34 - Blankenshi	2 / 4	50.0%	42 - Baker, Rob	1 / 2	50.0%
03 - Keene, Jam	0 / 1	0.0%			
12 - Charles, B	1 / 6	16.6%			
Layups	1-9 Ft	10-15 Ft	Over 15 Ft	3 Pointers	Total
5 / 7	7 / 13	0 / 5	2 / 3	0 / 3	14 / 31
71.4%	52.3%	0.0%	66.7%	0.0%	45.2%

Henry Clay					
Player		Player	Player	Player	Player
21 - Sutton, Sc	5 / 7	71.4%	12 - Hatchett,	4 / 5	80.0%
22 - Uglem, Jay	0 / 2	0.0%	20 - Allen, Ter	1 / 1	100.0%
50 - Hill, Gary	2 / 3	66.6%	30 - Kirkpatric	2 / 2	100.0%
24 - McCowan, A	3 / 5	60.0%	32 - Kryscio, D	2 / 3	66.6%
10 - Jackson, K	3 / 4	75.0%	34 - Jackson, H	1 / 1	100.0%
44 - Castleberry	2 / 4	50.0%			
Layups	1-9 Ft	10-15 Ft	Over 15 Ft	3 Pointers	Total
10 / 10	9 / 13	3 / 7	3 / 4	0 / 3	25 / 37
100.0%	69.2%	42.9%	75.0%	0.0%	67.6%

BOX SCORE: * OFFICIAL FIRST HALF * Date: 03-17-88 Site: State Tourney, Louisville Attendance: 15,860

Team: Henry Clay

NO.	NAME	TOTAL FG		3-POINT		FT	FTA	REB			PF	TP	A	TD	BLK	S	MIN	
		FG	FGA	FG	FGA			O	D	T								
21	Sutton, Scott	1	3	0	1	0	0	0	2	2	3	2	3	1	1	0	11	
22	Uglem, Jay	1	4	0	1	0	1	1	0	1	0	2	0	1	0	0	9	
50	Hill, Gary	7	10	0	0	1	1	2	10	12	1	15	1	0	1	0	14	
14	Butler, Aaron	1	4	0	1	0	0	1	0	1	2	2	0	0	0	0	6	
24	McCowan, Alan	5	7	1	2	0	0	0	4	4	2	11	2	1	0	2	16	
10	Jackson, Keith	2	4	0	2	0	0	0	0	0	1	4	6	1	0	0	12	
12	Hatchett, Ryce	2	5	0	0	0	0	1	1	2	3	4	0	0	0	1	9	
44	Castleberry, J.	0	0	0	0	0	0	0	1	1	1	0	0	0	0	0	2	
32	Kryscio, Doug	1	1	0	0	0	0	0	0	0	0	2	0	0	0	0	0	
30	Kirkpatrick, K.	0	0	0	0	0	0	0	0	0	0	0	1	0	0	0	1	
TEAM																		
TOTALS		20	38	1	7	1	2	5	18	23	13	42	13	4	2	3	80	
Percentages:		HALF-----		FG		20/38	52.6%	3-PT.		1/7	14.3%	FT		1/2	50.0%			
		Period 1		7/22		31.8%			1/6	16.7%			0/1	0.0%				
		Period 2		13/16		81.3%			0/1	0.0%			1/1	100.0%				

0 Deadball Rebounds

Team: Phelps

NO.	NAME	TOTAL FG		3-POINT		FT	FTA	REB			PF	TP	A	TD	BLK	S	MIN	
		FG	FGA	FG	FGA			O	D	T								
24	Stevens, Larry	0	0	0	0	2	4	0	2	2	1	2	0	4	0	0	12	
32	Fannin, Mike	3	6	0	0	0	1	2	6	8	0	6	0	1	0	0	14	
34	Blankenship, R.	1	8	0	0	3	4	1	1	2	1	5	0	0	0	0	13	
03	Keene, Jamie	0	2	0	0	3	4	0	2	2	0	3	1	0	0	0	16	
12	Charles, Brian	0	3	0	1	1	2	0	2	2	0	1	0	0	0	0	13	
42	Baker, Robbie	0	1	0	0	2	2	0	1	1	1	2	0	1	0	0	4	
21	Justice, Mike	0	0	0	0	2	2	0	0	0	0	2	0	0	0	0	2	
10	Charles, M.	0	1	0	0	2	2	0	0	0	0	2	0	2	0	0	6	
TEAM																		
TOTALS		4	21	0	1	15	21	3	14	17	3	23	1	8	0	0	80	
Percentages:		HALF-----		FG		4/21	19.0%	3-PT.		0/1	0.0%	FT		15/21	71.4%			
		Period 1		3/9		33.3%			0/1	0.0%			9/12	75.0%				
		Period 2		1/12		8.3%			0/0	0.0%			6/9	66.7%				

2 Deadball Rebounds

OFFICIALS: Jay W. Davis, Barry Barnes
 Technicals: None

SCORE BY PERIODS
 Henry Clay 15 27 = 42
 Phelps 15 8 = 23

Henry Clay "Blue Devils" vs Phelps "Hornets"
1st Half Play by Play

PAGE : 1

Tip off at 7:30 p.m. on 03/17/88 at State Tourney, Louisville
Produced by the K.H.S.A.A. Stat Crew with FINAL IIII™

Player	Team	Phelps	Time	Score	Henry Clay	Player	Team
Stevens, Larry	Fannin, Mike	Blankenship, R., Keene, Jamie, Charles, Brian			Sutton, Scott, Uglem, Jay, Hill, Gary, Butler, Aaron, McCowan, Alan		
1-2	50.0%	1-2 50.0%	1 6:51		Ball to Blue Devils		
		Keene, Jamie, 2 Free Throws made 1st missed 2nd	1 6:51	*1-0	Foul on Sutton, Scott	1	1
1		Foul on Blankenship, R.	1 6:36	1-2*	3 ft Lane Bank by Uglem, Jay	1-2	50.0% 1-5 20.0%
			1 6:36			0-1	00.0% 0-1 00.0%
			1 6:33		Uglem, Jay, 1 Free Throw missed	1	2
			1 6:33		Foul on Butler, Aaron		
3-4	75.0%	3-4 75.0%	1 6:01	*3-2	4 ft Lane Jump shot by Butler, Aaron	1-2	50.0% 2-7 28.5%
		Keene, Jamie, 2 Free Throws made both	1 5:53		Assist by Hill, Gary	1	1
			1 5:43	*5-4	Foul on Butler, Aaron	2	3
1-2	50.0%	1-4 25.0%	1 5:18	*7-4			
2-3	66.6%	2-5 40.0%					
1		10 ft Lane Follow by Fannin, Mike					
		14 ft Lane Jump shot by Fannin, Mike					
		Assist by Keene, Jamie					
1-1	100%	3-6 50.0%	1 4:59	*9-4	Sub In: Jackson, Keith Out: Butler, Aaron	1-2	50.0% 3-12 25.0%
		14 ft Right Base Line Turnaround by Blankenship, R.	1 4:27		10 ft Lane Jump shot by McCowan, Alan	1	2
			1 4:27	9-6*	Assist by Jackson, Keith	1-2	50.0% 4-13 30.7%
			1 3:26	9-8*	16 ft Right Angle Jump shot by Sutton, Scott	1	4
			1 3:19		Foul on Jackson, Keith	1	5
			1 2:55		Foul on Hill, Gary		
0-2	00.0%	3-6 50.0%	1 2:47	9-10*	4 ft Lane Follow by Hill, Gary	1-3	33.3% 5-15 33.3%
		Stevens, Larry, 2 Free Throws missed both	1 2:27	9-12*	6 ft Lane Driving by Jackson, Keith	1-1	100% 6-16 37.5%
			1 2:18		Assist by McCowan, Alan	1	3
			1 2:18		Foul on McCowan, Alan	1	6
2-4	50.0%	5-8 62.5%	1 2:18	*11-12	Sub In: Hatchett, Ryce Out: Sutton, Scott		
		Stevens, Larry, 1 & Bonus made both	1 2:18				
		Sub In: Baker, Robbie Out: Stevens, Larry	1 1:59		Sub In: Castleberry, J Out: Hill, Gary		
			1 1:57				
		Sub In: Justice, Mike Out: Blankenship, R.	1 1:00	11-15*	3 pt 23 ft Right Angle Jump shot by McCowan, Alan	2-3	66.6% 7-20 35.0%
			1 0:25		Assist by Jackson, Keith	2	4
			1 0:25	*13-15	Foul on Hatchett, Ryce	1	7
2-2	100%	7-10 70.0%	1 0:04	*15-15			
2-2	100%	9-12 75.0%					
		Baker, Robbie, 2 Free Throws made both					
		Justice, Mike, 2 Free Throws made both					

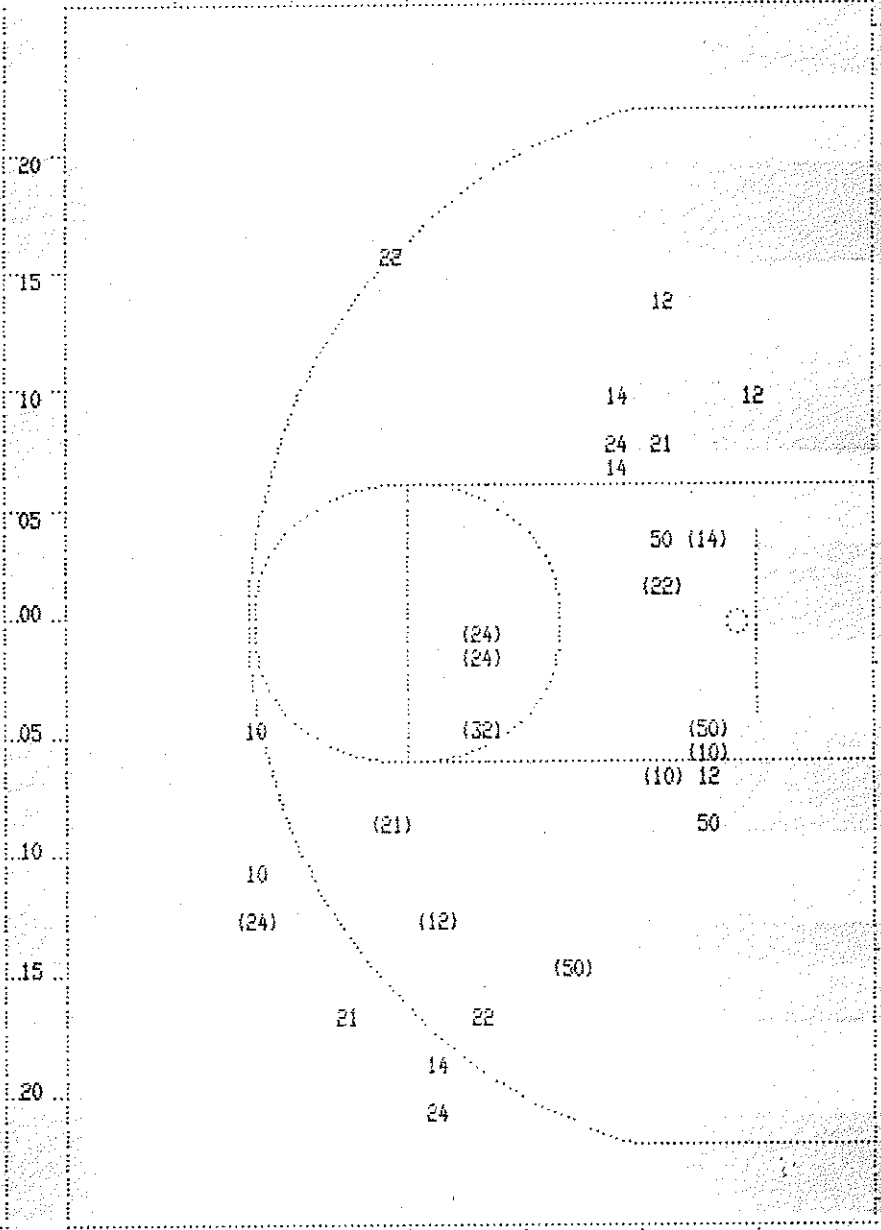
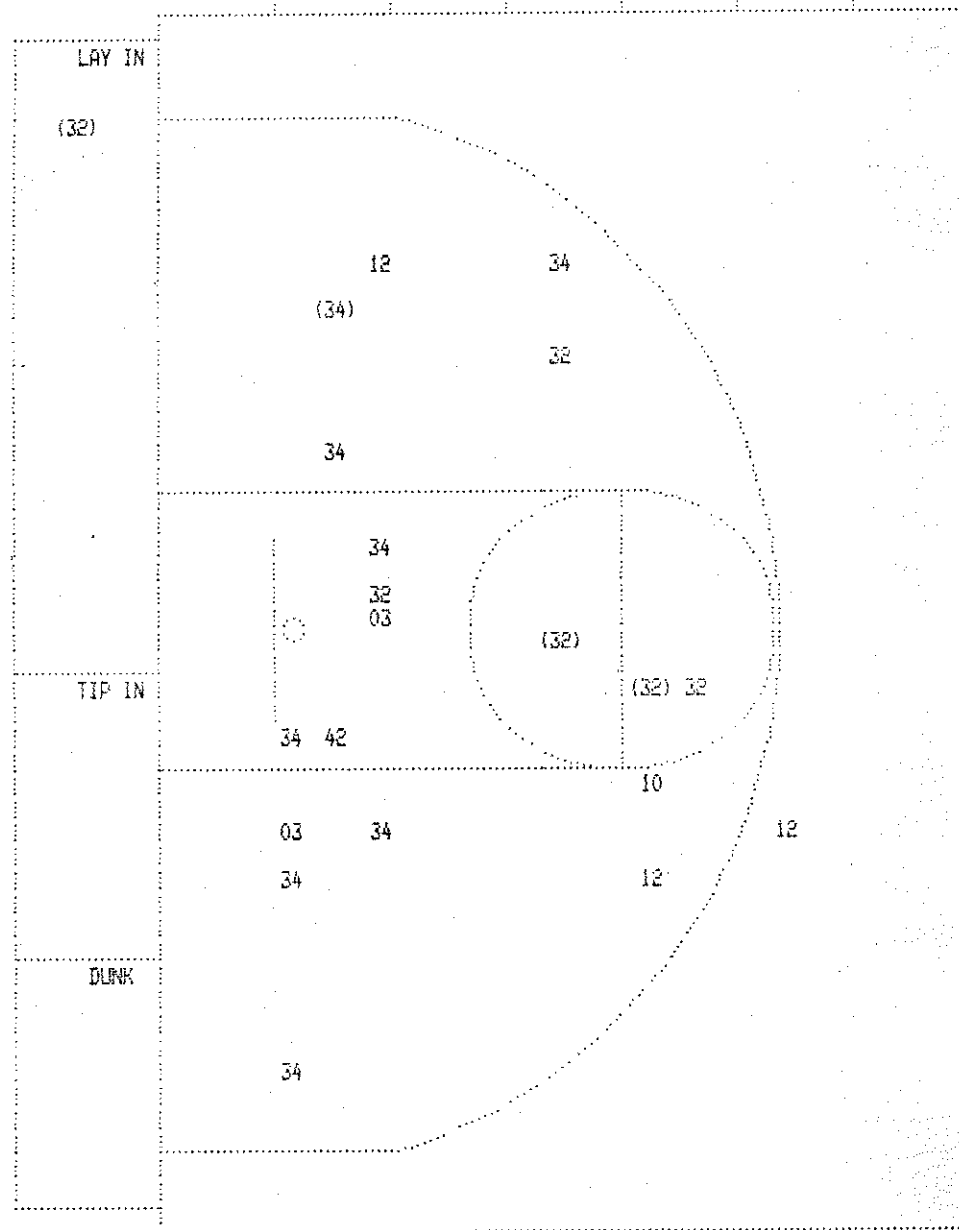
Henry Clay "Blue Devils" vs Phelps "Hornets"
1st Half Play by Play

Tip off at 7:30 p.m. on 03/17/88 at State Tourney, Louisville
Produced by the K.H.S.A.A. Stat Crew with FINAL III**

PAGE : 2

Player	Team	Phelps	Time	Score	Henry Clay	Player	Team
Stevens, Larry, Fannin, Mike	1	Blankenship, R., Keene, Jamie, Charles, Brian Ball to Hornets			Sutton, Scott, Uglem, Jay, Hill, Gary, Butler, Aaron, McCowan, Alan		
			2 7:33		Sub In: Jackson, Keith Out: Butler, Aaron		
			2 7:27		Sub In: Hatchett, Ryce Out: Sutton, Scott		
1	2	Foul on Baker, Robbie	2 7:20				
		Sub In: Baker, Robbie Out: Fannin, Mike	2 7:20		Sub In: Sutton, Scott Out: Uglem, Jay		
			2 7:13				
			2 6:37	15-17*	Driving Layup by Hill, Gary Assist by McCowan, Alan	2-5	40.0% 8-23 34.7%
			2 6:00	15-19*	Driving Layup by Hill, Gary Assist by Sutton, Scott	3-6	50.0% 9-24 37.5%
			2 5:24	15-21*	Layup Off Fast Break by McCowan, Alan Assist by Jackson, Keith	3-4	75.0% 10-25 40.0%
		Sub In: Fannin, Mike Out: Keene, Jamie	2 5:20				
		Sub In: Charles, M. Out: Baker, Robbie	2 5:20				
			2 5:09	15-23*	Layup Off Fast Break by Hatchett, Ryce	1-2	50.0% 11-26 42.3%
		REG: 12 A: 1 BLK: 0 TO: 4 PF: 2	2 5:06		REG: 16 A: 7 BLK: 1 TO: 2 PF: 7		
		S: 0 FT: 9-12 75.0% FG: 3-13 23.0%	No. 1 Phelps TIME - OUT		S: 2 FT: 0-1 00.0% FG: 11-26 42.3%		
			2 4:55		Foul on Sutton, Scott	2	8
2-2	100%	11-14 78.5%	2 4:55	*17-23			
		Blankenship, R., 1 & Bonus made both	2 4:46	17-25*	Driving Layup by Hill, Gary Assist by Sutton, Scott	4-7	57.1% 12-28 42.8%
			2 4:46	17-26*	Hill, Gary, 1 Free Throw made	1-1	100% 1-2 50.0%
1	3	Foul on Stevens, Larry	2 4:29				
		Sub In: Keene, Jamie Out: Charles, Brian	2 4:21	17-28*	17 ft Right Angle Jump shot by Hatchett, Ryce Assist by Jackson, Keith	2-3	66.6% 13-29 44.8%
			2 4:11		Foul on Hatchett, Ryce	4	9
2-2	100%	13-16 81.2%	2 4:00	*19-28		2	9
		Charles, M., 1 & Bonus made both	2 3:47	19-30*	Driving Layup by McCowan, Alan Assist by Sutton, Scott	4-6	66.6% 14-30 46.6%
			2 2:40	19-32*	15 ft Right Side Jump shot by Hill, Gary	5-8	62.5% 15-32 46.8%
3-5	60.0%	4-17 23.5%	2 2:25	*21-32		3	10
		Driving Layup by Fannin, Mike	2 2:25		Foul on Sutton, Scott		
0-1	00.0%	13-17 76.4%	2 2:24				
		Fannin, Mike, 1 & Bonus missed 1st	2 2:12		Sub In: Butler, Aaron Out: Sutton, Scott		
		Sub In: Charles, Brian Out: Stevens, Larry	2 2:09				
			2 1:48	21-34*	Layup Off Fast Break by Hill, Gary	6-9	66.6% 16-34 47.0%
			2 1:37	21-36*	Layup Off Fast Break by Hill, Gary Assist by Jackson, Keith	7-10	70.0% 17-35 48.5%
			2 1:24		Foul on McCowan, Alan	5	11
			2 1:24		Foul on Castleberry, J	2	11
3-4	75.0%	14-19 73.6%	2 1:24	*22-36		1	12
		Blankenship, R., 2 Free Throws missed 1st made 2nd	2 1:17	22-38*	10 ft Lane Turnaround by McCowan, Alan Assist by Jackson, Keith	5-7	71.4% 18-36 50.0%
			2 0:44	22-40*	4 ft Lane Follow by Jackson, Keith	2-4	50.0% 19-37 51.3%
		Sub In: Justice, Mike Out: Blankenship, R.	2 0:19		Sub In: Kryscio, Doug Out: McCowan, Alan		
			2 0:19				
			2 0:17		Sub In: Allen, Terry Out: Butler, Aaron		
			2 0:17		Sub In: Kirkpatrick, K. Out: Hatchett, Ryce		
1-1	100%	15-20 75.0%	2 0:17	*23-40			
1-2	50.0%	15-21 71.4%	2 0:16				
		Charles, Brian, 1 Free Throw made	2 0:05	23-42*	11 ft Lane Jump shot by Kryscio, Doug Assist by Kirkpatrick, K.	1-1	100% 20-38 52.6%
		Charles, Brian, 1 Free Throw missed				1	13

FIRST HALF SHOT CHART Produced by the K.H.S.A.A. Stat Crew with FINAL III™



Phelps		Player		Player	
32 - Fannin, Mi	3 / 6 50.0%	42 - Baker, Rob	0 / 1 0.0%		
34 - Blankenshi	1 / 8 12.5%				
03 - Keene, Jam	0 / 2 0.0%				
12 - Charles, B	0 / 3 0.0%				
10 - Charles, M	0 / 1 0.0%				
Layups	1-9 Ft	10-15 Ft	Over 15 Ft	3 Pointers	Total
1 / 1	0 / 8	3 / 5	0 / 6	0 / 1	4 / 21
100.0%	0.0%	60.0%	0.0%	0.0%	19.0%

Henry Clay		Player		Player	
21 - Sutton, Sc	1 / 3 33.3%	10 - Jackson, K	2 / 4 50.0%		
22 - Dglen, Jay	1 / 4 25.0%	12 - Hatchett, D	2 / 5 40.0%		
50 - Hill, Gary	7 / 10 70.0%	32 - Kryscio, D	1 / 1 100.0%		
14 - Butler, As	1 / 4 25.0%				
24 - McCowan, A	5 / 7 71.4%				
Layups	1-9 Ft	10-15 Ft	Over 15 Ft	3 Pointers	Total
8 / 10	5 / 11	4 / 7	2 / 3	1 / 7	20 / 38
80.0%	45.5%	57.1%	66.7%	14.3%	52.6%